

STANDARD CONSTRUCTION

LOUVER: Frame and blade are .081" thk. (nominal) extruded aluminum 6063-T52/T6 alloy, w/ post corner construction.

SCREEN: (When indicated, in a removable frame)
 1/2" Flattened Aluminum, .051" thk.,

- or- Insect screen 19/16 aluminum mesh, .011" dia.,
- or- 1/2" sq. mesh intermediate double crimped aluminum wire, .063" dia.

FINISH: Varies.

SIZE: 38" x 38" x 18", sits on a curb 24" or 36" high.

CURB: 12 GA. Galvanneal, galvanized steel or .125" thk. (nominal) aluminum w/ 4" mounting flange, welded construction.

ROOF: .060" thk. (nominal) formed aluminum with 1/2" thk. rigid insulation.

POST CORNERS: .081" thk. (nominal) formed aluminum.

GLASS: 3/8" thk. (nominal) annealed glass.

ROOF OPENING: 28" x 28" minimum, 38" x 38" maximum.

LOUVER DETAILS

MODEL: EL48 (Louvers & Dampers)

SIZE: 30" x 18" (4) four required.

FREE AREA: 6.54 sq. ft. Total.

CONTROL DAMPER DETAILS

MODEL: A28 (Louvers & Dampers)

ACTUATOR: Internally mounted, Electric.

SIZE: 26" x 26" O.D. (nominal)

CORE AREA: 3.75 sq. ft.

MODEL: D395 (Louvers & Dampers)

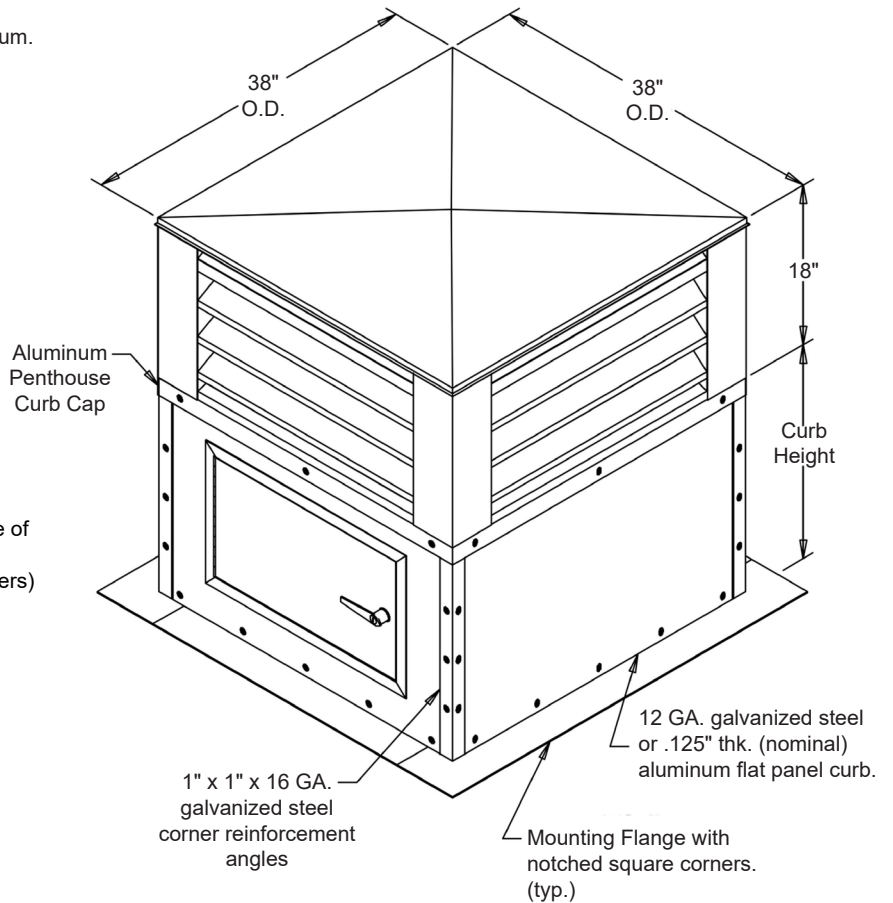
SIZE: 26" x 26" O.D. (nominal)

ACTUATOR: Internally mounted, Electric.

CORE AREA: 4.08 sq. ft.

OPTIONS

- Hinged louver with hasp or surface mount latch in place of access door in curb.
- Drainable blade louver (Model IL23). (Louvers & Dampers)



Item #	Qty	Width	Height	Curb Height	Glass Access	Hinged Access	Tagging	Union Made
		Roof Opening						
Arch. / Eng. :				EDR:		ECN:		Job:
Contractor:								
Project:				Date:		DWN:		DWG:

In the interest of product development, Louvers & Dampers reserves the right to make changes without notice.

PENTHOUSE OPTIONAL CONSTRUCTION

